

Welcome to the second edition of *HRP's Just the Specs*, a new feature that gives readers a simple graphic overview of some of the latest hearing care technology. In this edition, Sonic, Oticon, Hansaton, Unitron, and Ear Technology offer readers a bird's-eye view of new hearing instruments featured at AAA in Boston. If you like this new feature and want to see more, please let us know on *Hearing Review's* Facebook page.

TYPE OF HEARING AID:
miniRIC

RECOMMENDED FITTING RANGES:
Mild to severe hearing loss

PRICE CLASS(ES):
Premium to mid-level

MAXIMUM POWER OUTPUT:
Varies by receiver. 121 dB for Standard; 131dB for Power (Ear Simulator)

FREQUENCY RESPONSE OF THIS MODEL:
Varies by receiver. 100-6000 for Standard; 100-5800 for Power.

FULL ON GAIN:
Varies by receiver. 59 dB for Standard; 70 dB for Power (Ear Simulator)

#1 INNOVATIVE FEATURE IN 10 WORDS OR LESS:
Design allows large battery, volume control while maintaining discreet size.



Sonic Flip



TYPE OF HEARING SYSTEM:
Inductively rechargeable RIC

RECOMMENDED FITTING RANGES:
Mild to profound hearing loss

PRICE CLASSES:
First Class, Business Class, Comfort Class

MAXIMUM POWER OUTPUT:
Varies by receiver, for P-receiver peak output = 132 dB SPL (ear simulator)

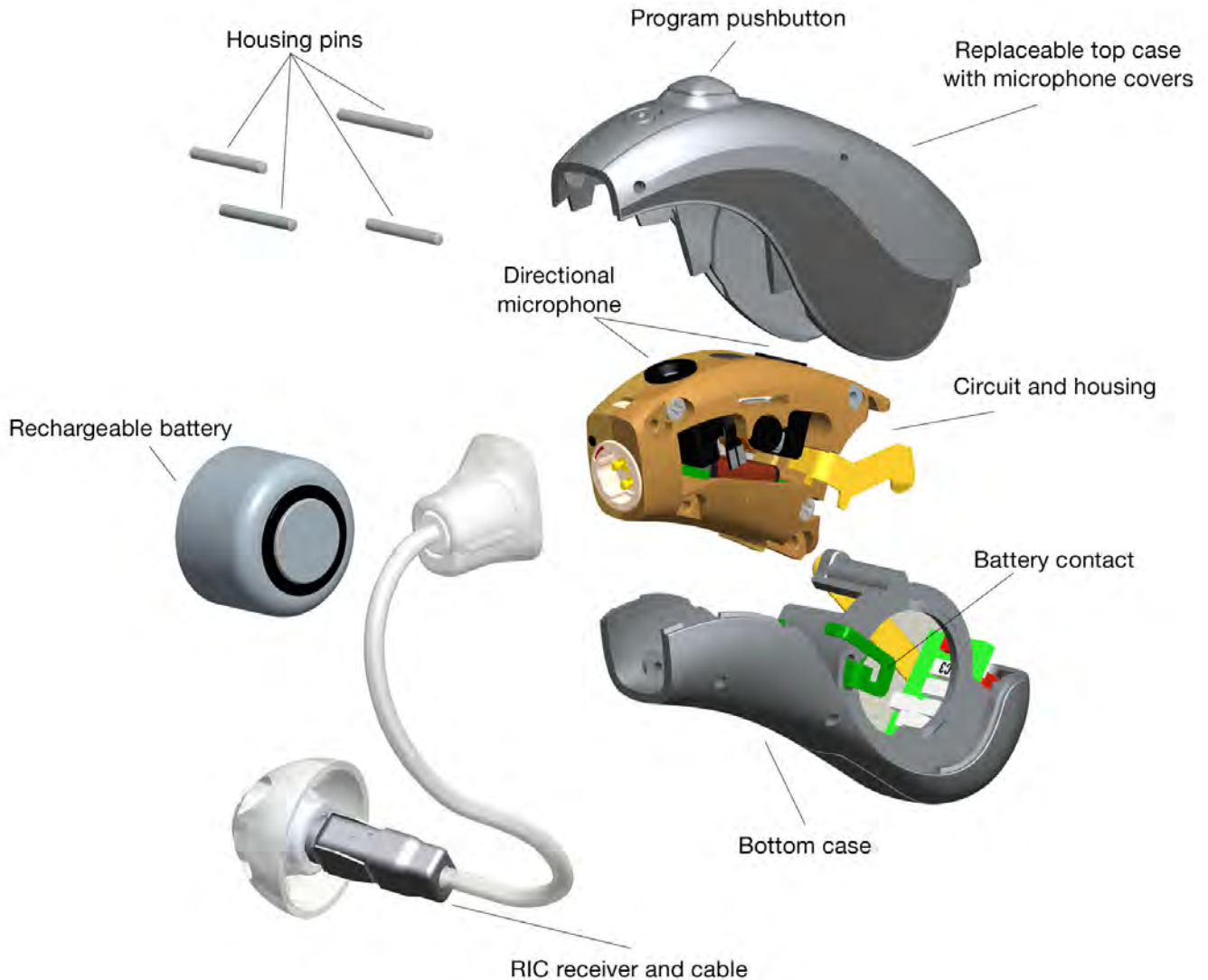
FREQUENCY RESPONSE:
Varies by receiver, for M-receiver 125 – 9000 Hz (ear simulator)

FULL ON GAIN:
Varies by receiver, for P-receiver peak gain = 75 dB (ear simulator)

#1 INNOVATIVE FEATURE IN 10 WORDS OR LESS:
20-plus hours per charge, fully automated charging



Hansaton AQ 2G X-Mini





Oticon Intigaⁱ

TYPE OF HEARING AID:

IIC (invisible-in-the-canal)

RECOMMENDED FITTING RANGES:

Mild to moderately severe hearing loss

PRICE CLASS(ES):

Available in Premium and Advanced

MAXIMUM POWER OUTPUT:

Ear Simulator—121 dB; 2cc Coupler—109 dB

FREQUENCY RESPONSE OF THIS MODEL:

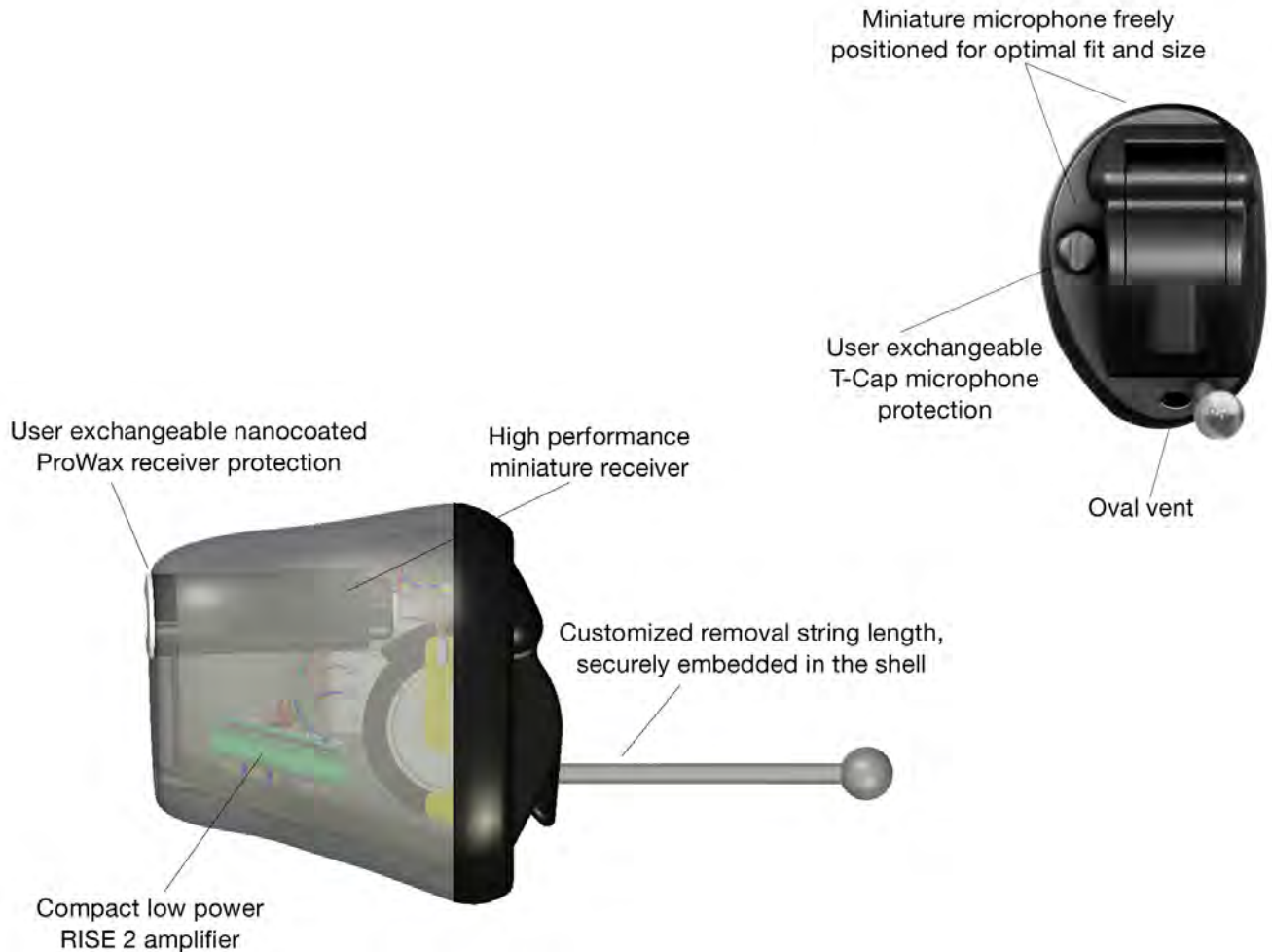
Ear Simulator—100-9700 Hz; 2cc Coupler—100-8500 Hz

FULL ON GAIN:

Ear Simulator—45 dB; 2cc Coupler—35 dB

#1 INNOVATIVE FEATURE IN 10 WORDS OR LESS:

An invisible solution that appeals to first-time users



TYPE OF HEARING AID:
Canal receiver technology (CRT)

RECOMMENDED FITTING RANGES:
Mild to severe hearing loss

PRICE CLASS(ES):
Premium

MAXIMUM POWER OUTPUT:
129 dB peak output (with SP receiver)

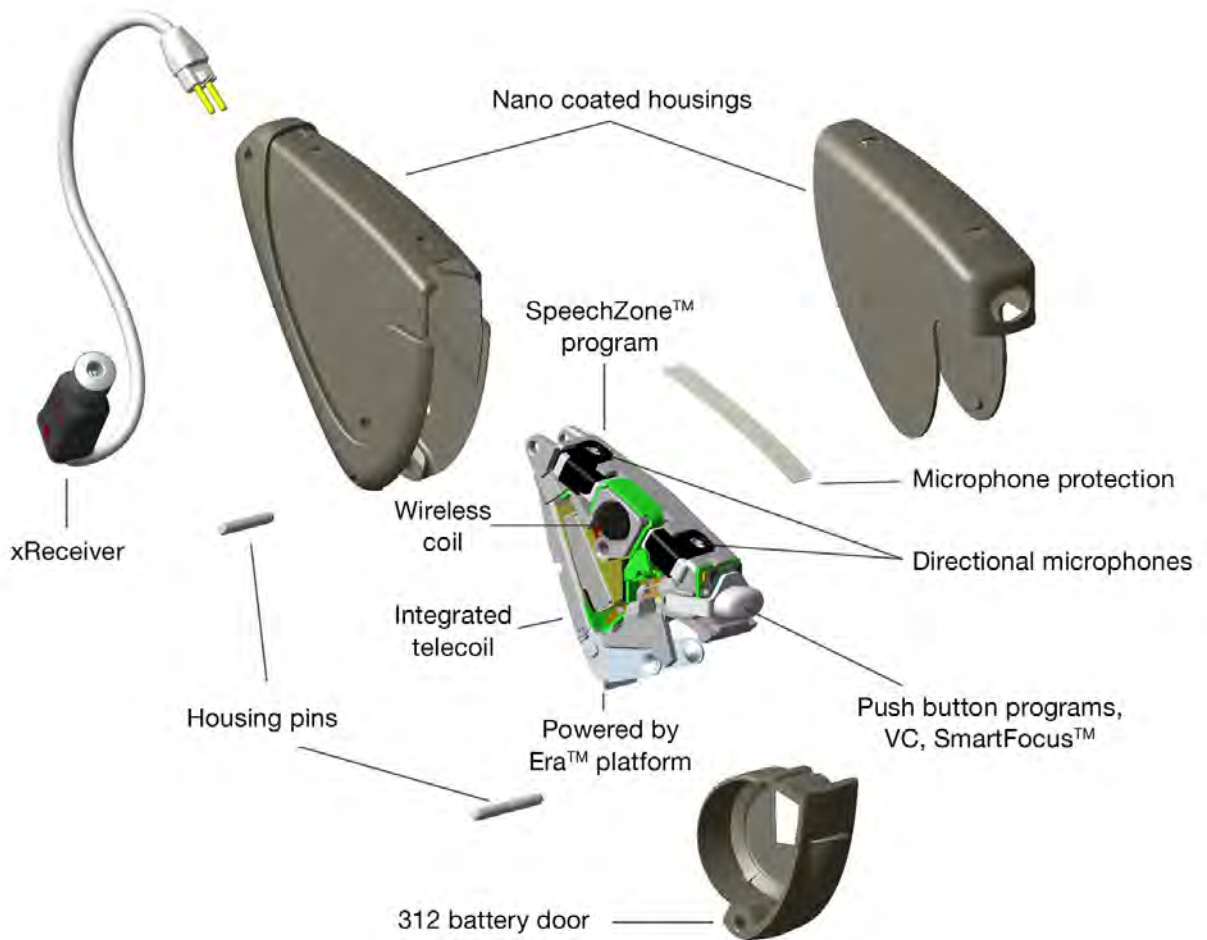
FREQUENCY RESPONSE OF THIS MODEL:
Varies by receiver; 100-8300 Hz

FULL ON GAIN:
61 dB peak output (with SP receiver)

#1 INNOVATIVE FEATURE IN 10 WORDS OR LESS:
Features SpeechZone™ technology to deliver better speech understanding in noise



Unitron Moxi™ Pro



Ear Technology Clik-EZd



TYPE OF HEARING AID:
Open-fit BTE

RECOMMENDED FITTING RANGES:
Mild to moderate hearing loss

PRICE CLASS(ES):
Basic to premium

MAXIMUM POWER OUTPUT:
127/2cc coupler

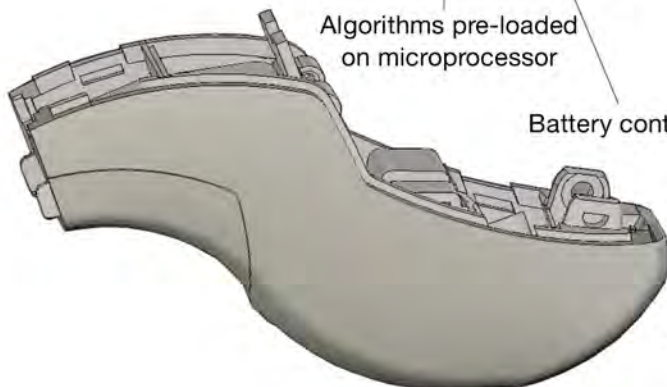
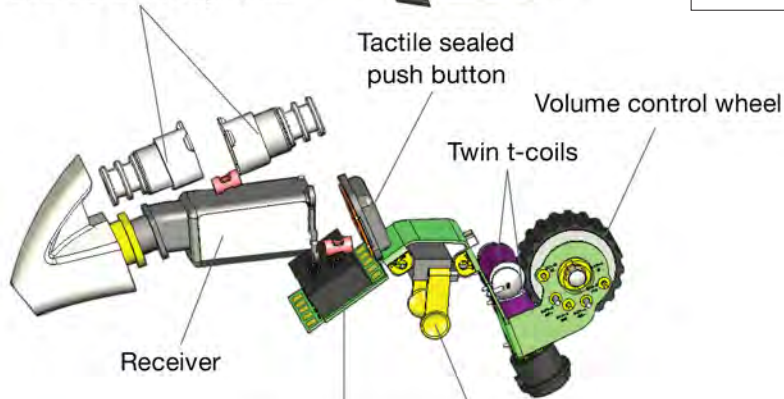
FREQUENCY RESPONSE OF THIS MODEL:
100-8500 Hz

FULL ON GAIN:
47 dB

#1 INNOVATIVE FEATURE IN 10 WORDS OR LESS:
ClikFit™ technology delivers freedom to program without cables and computers.



Directional microphones



Size 312 battery compartment

Configurations available:



thin tube



earhook with
custom mold